

## RETRIEVER CITY™ SACK DISPENSER SIGN KIT INSTRUCTION LEAFLET

**NOTE:** Ensure that all relevant personnel read the points listed below and that a copy is passed on to staff involved with the installation. Please also refer to the 'Manual Handling Operations Regulations 1992' during the handling of the product and materials used for installation.

### INSTALLATION:

#### POST FIXING:

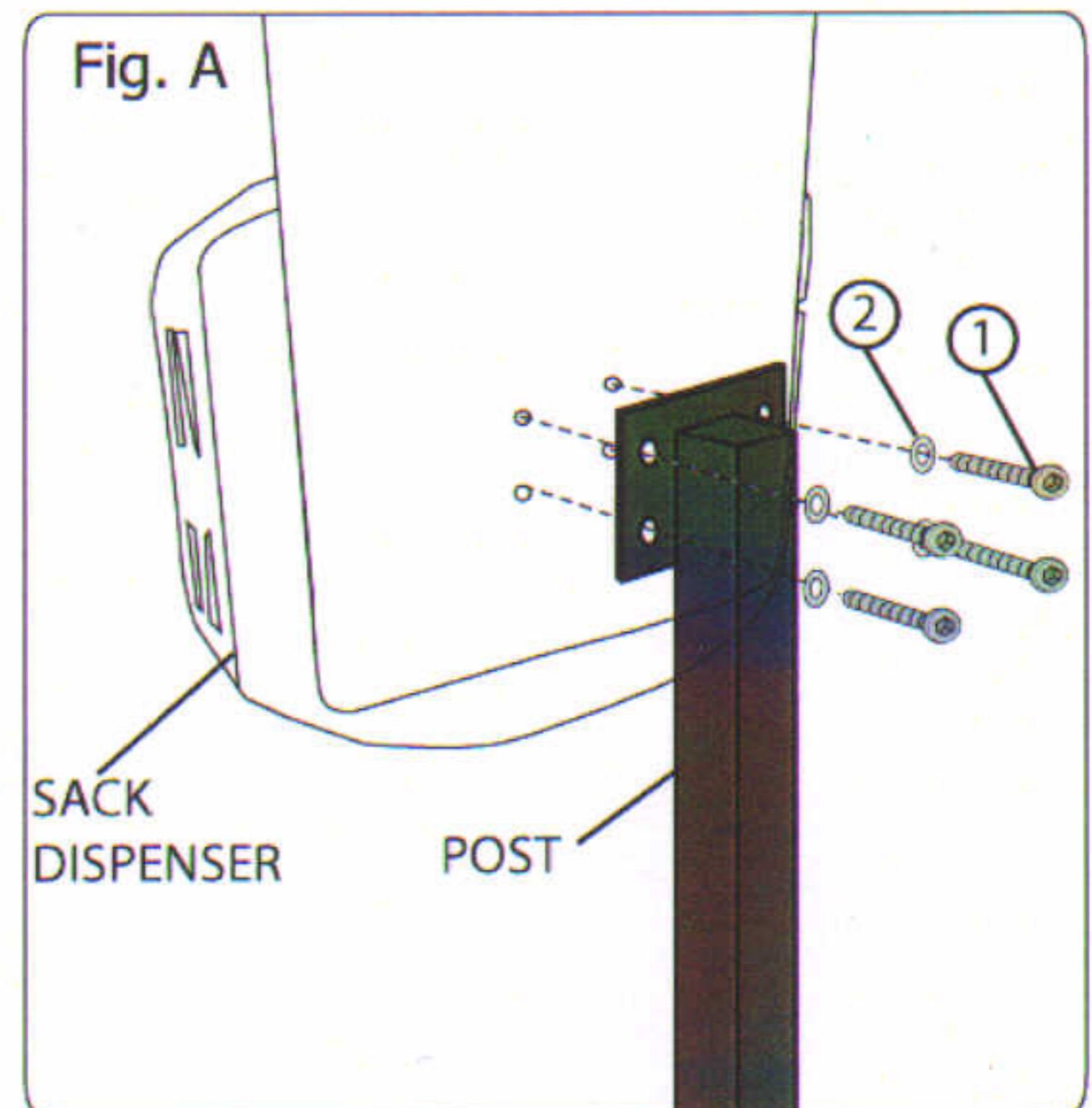
##### KIT CONTENTS:

ITEM 1. M8 x 25mm Socket button Screw	x 4
ITEM 2. M8 x 20mm Washer	x 4
ITEM 3. M8 Nyloc Nut	x 4

##### TOOLS REQUIRED:

13mm Spanner  
6mm Allen Key (Supplied)

1. Position your Retriever City Sack Dispenser with attached sign kit on the front of the post and align holes.
2. Insert screw (Item 1) and washer (Item 2) through the rear of the post and into the Sack dispenser back plate (Fig.J).
3. Secure in position from inside the Unit using a nyloc nut (Item 3).
4. Tighten using the 6mm Allen Key and 12mm spanner.



#### WALL FIXING:

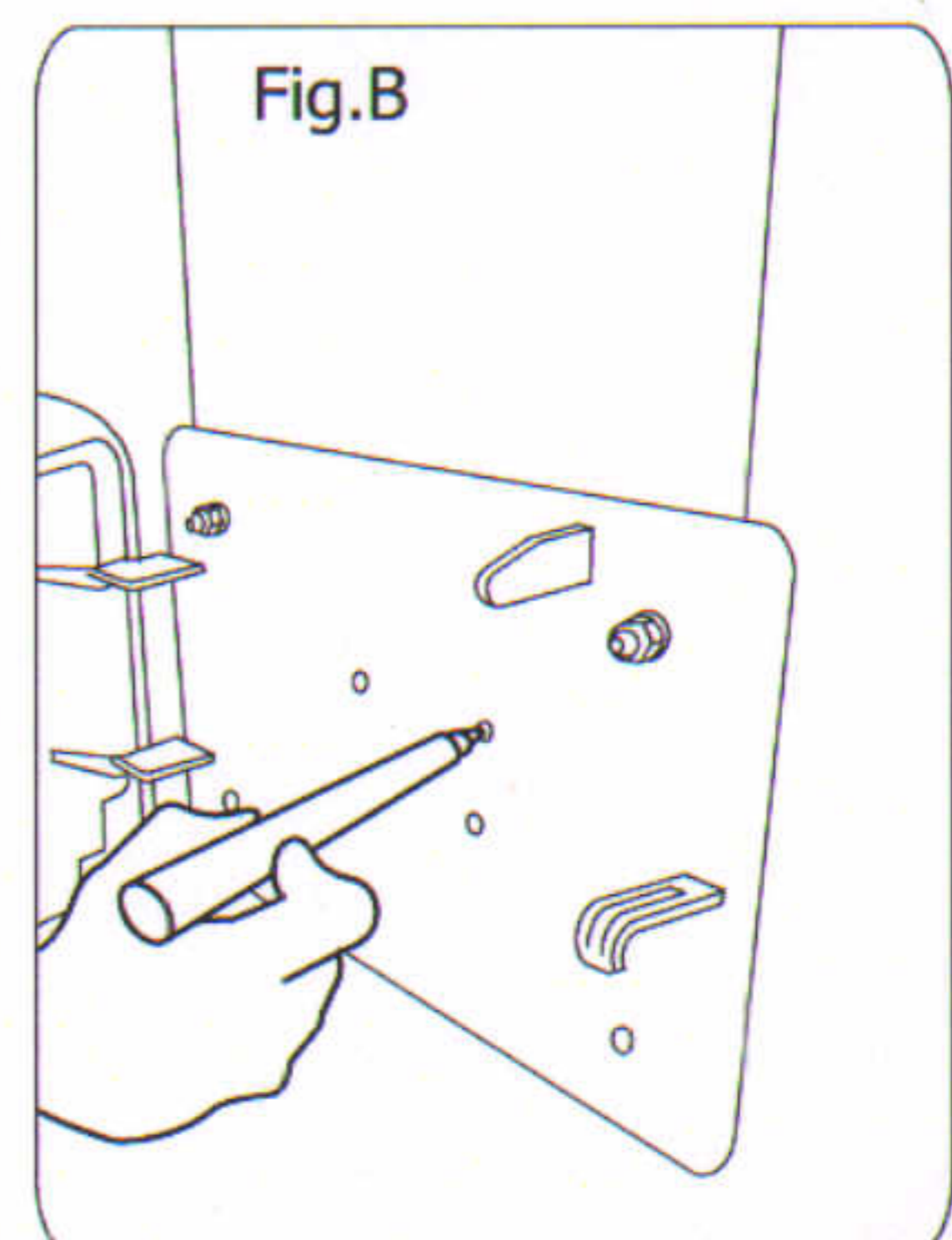
##### KIT CONTENTS:

ITEM 1. M8x100mm Anchor Bolt	x 4
ITEM 2. M8 x 20mm Washer	x 4
ITEM 3. M8 x 50mm Washer	x 4

##### TOOLS REQUIRED:

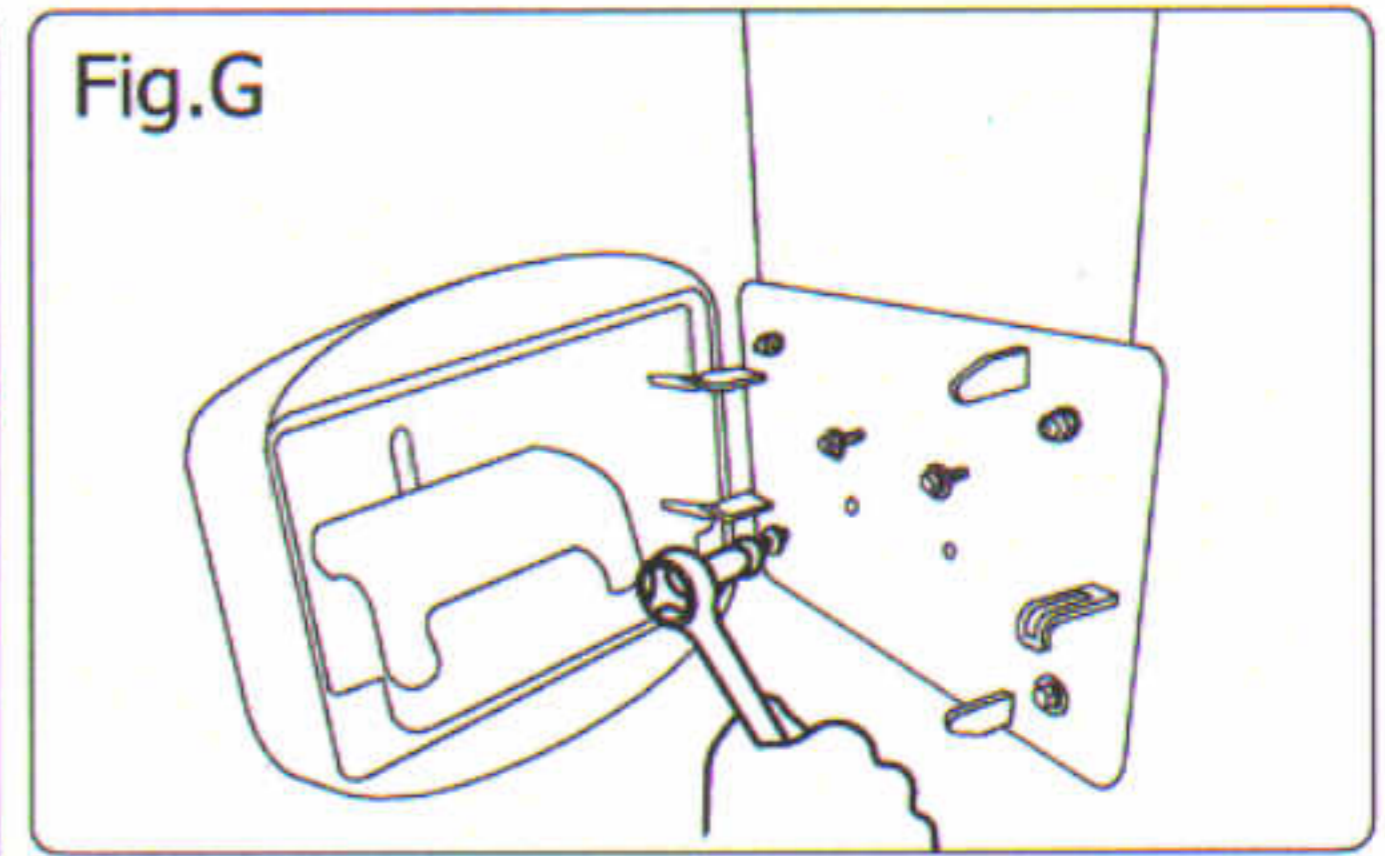
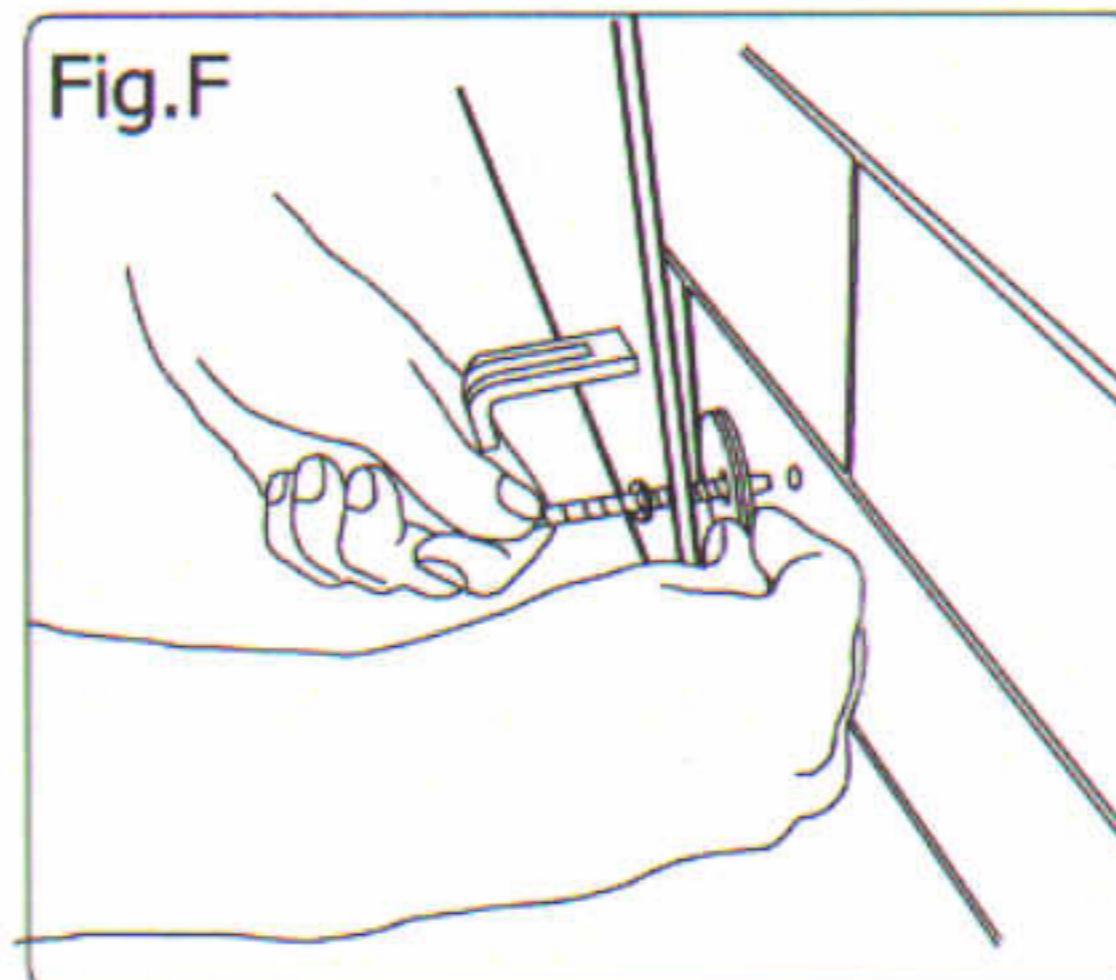
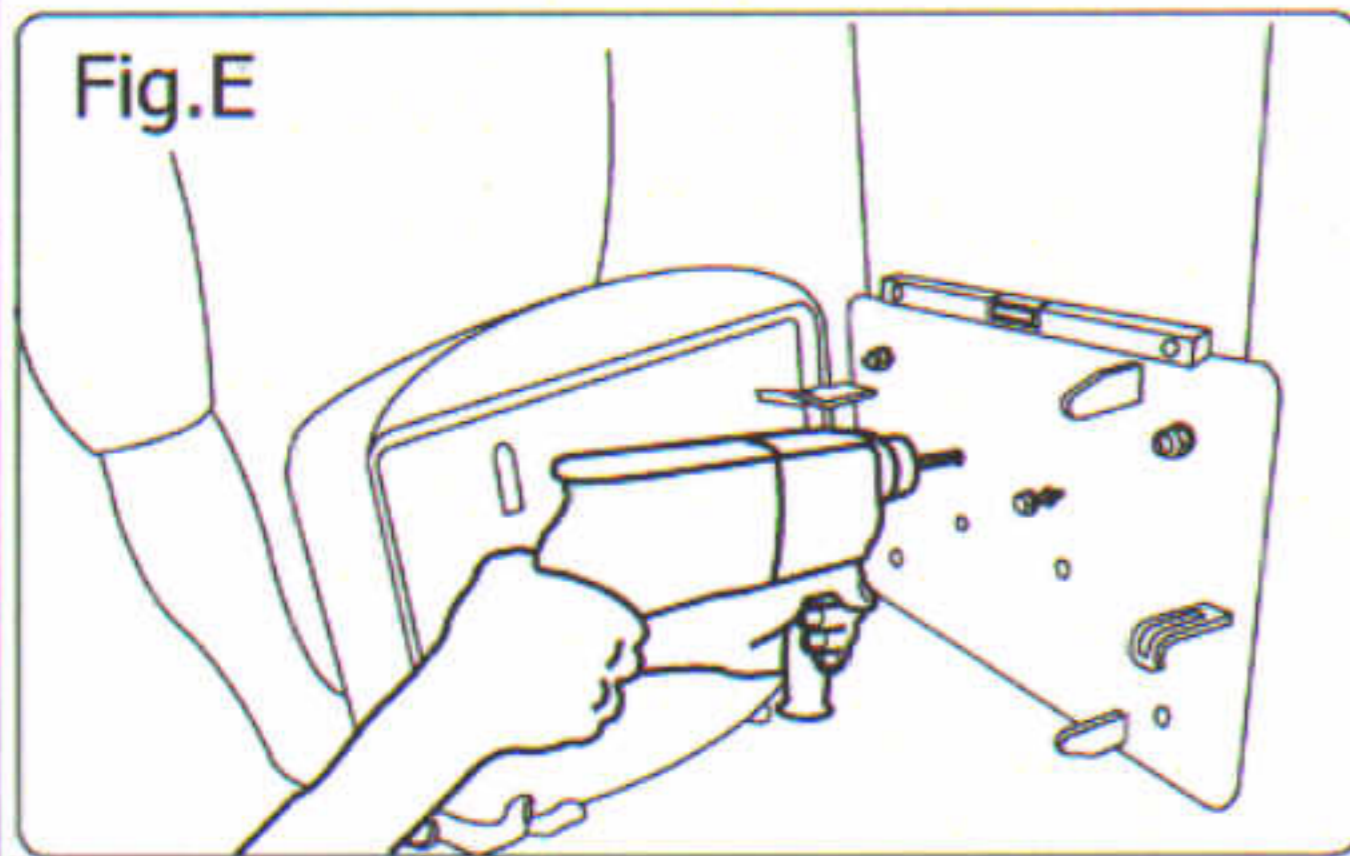
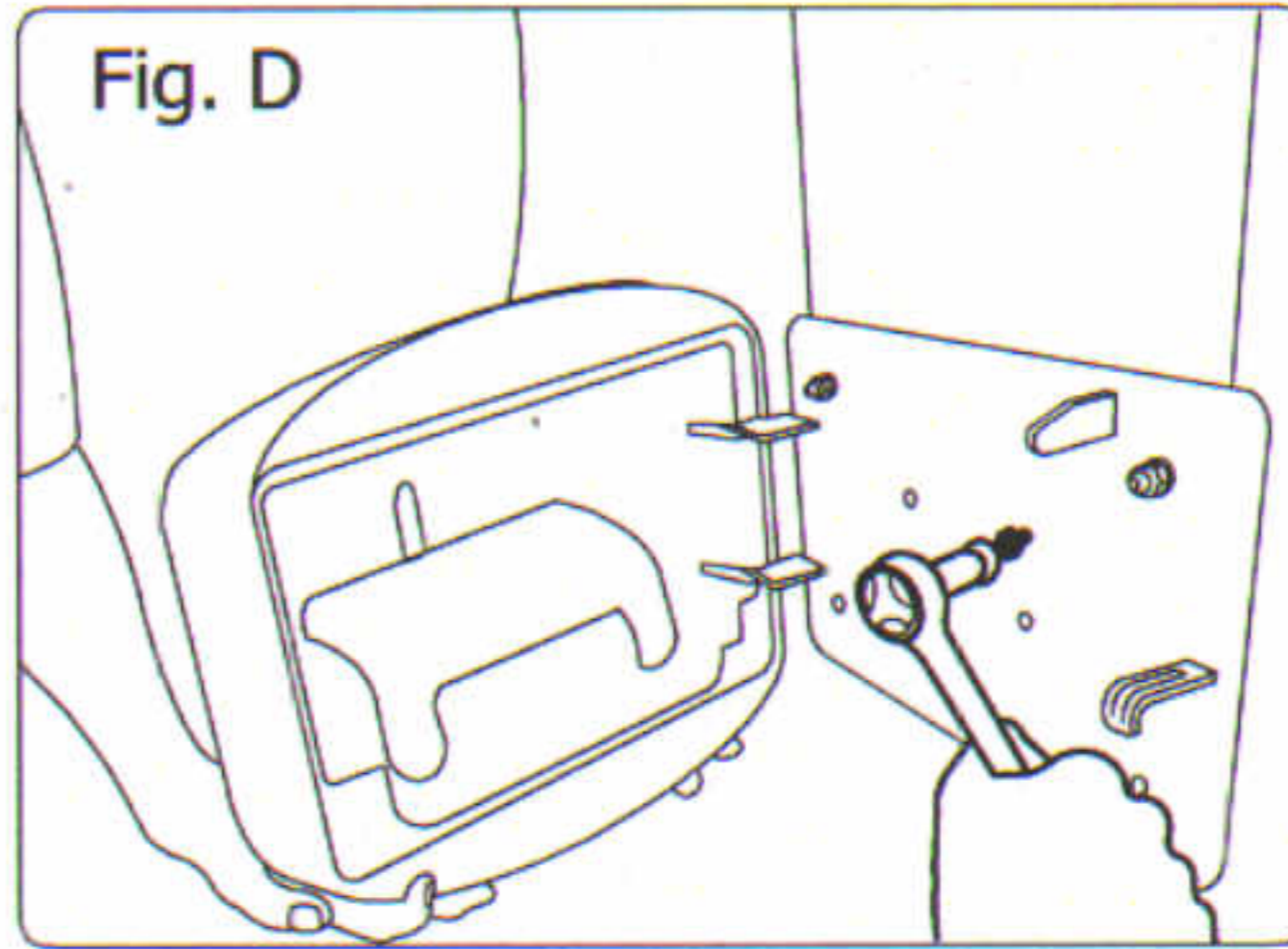
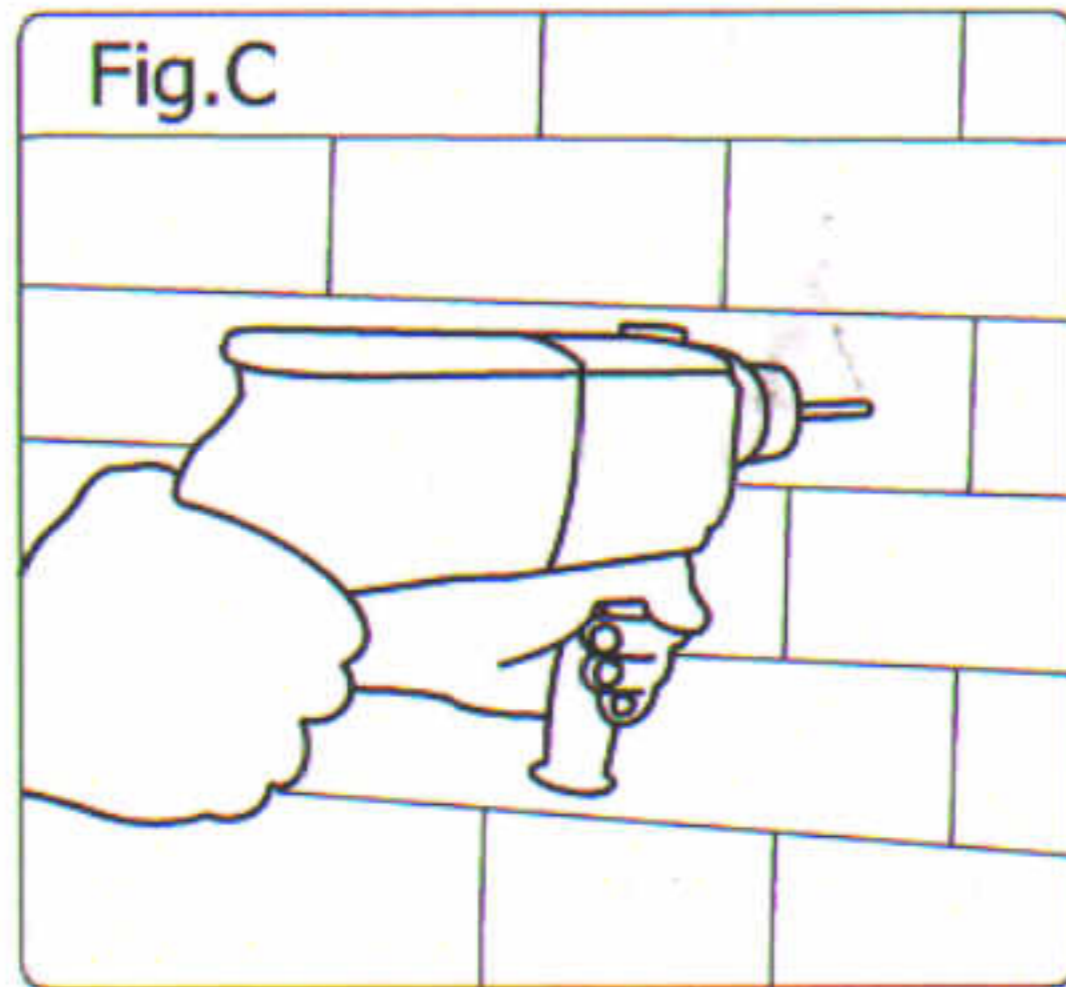
M6 Masonry Drill Bit  
Hand Drill  
10mm Socket Spanner  
Spirit Level  
Safety Goggles

1. Position your unit on the wall (suggested 1085mm from the ground) and mark the wall through the back plate drilled holes. FIG B.






## WALL FIXING CONTINUED:



2. Remove the unit and drill the first hole. Fig C
3. Thread all M8 washers (Item 2) through the anchor bolts (Item 1).
4. Reposition the unit on the wall and thread one anchor bolt and washer through the top right hole of the unit and loosely secure. Fig D.
5. Make sure the unit is level, using the spirit level and drill the remaining three holes using the drill. Fig E.
6. Insert and loosely tighten the top left anchor bolt.
7. Insert the remaining two anchor bolts and place two M8x50mm Washers (Item 3) between the unit and wall. Fig F
8. Fully tighten all the bolts until the unit is fully secured to the wall. Fig G.

 **Glasdon** AND RETRIEVER ARE TRADEMARKS OF GLASDON GROUP AND ITS SUBSIDIARIES IN THE U.K. AND OTHER COUNTRIES.

Replacement components are available direct from GLASDON.  
Glasdon U.K. Ltd reserves the right to alter specifications without prior notice.  
GLASDON cannot be held responsible for claims arising from incorrect installation, unauthorised modifications or misuse of the product.

Issue 1 December 2011 C000 /0416  
© Copyright 2011

 **Glasdon**

Preston New Road  
BLACKPOOL  
Lancashire FY4 4UL  
Tel: 01253 600410  
• Fax: 01253 792558  
E-mail: sales@glasdon-uk.co.uk  
Web: www.glasdon.com